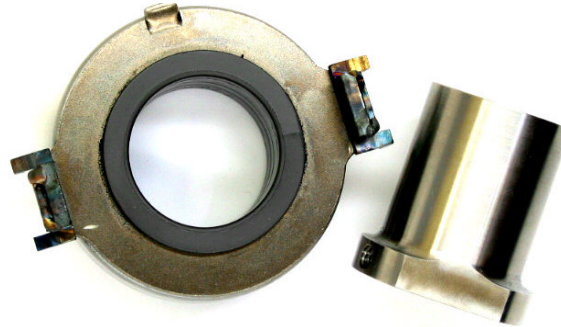




**PRODUCT SPOTLIGHT**  
 This bulletin contains valuable product related information.  
**NOVEDADES DEL PRODUCTO**  
 Este boletín contiene información valiosa relacionada a este producto.  
**ACCENT PRODUIT**  
 Ce bulletin contient de l'information utile sur les produits.



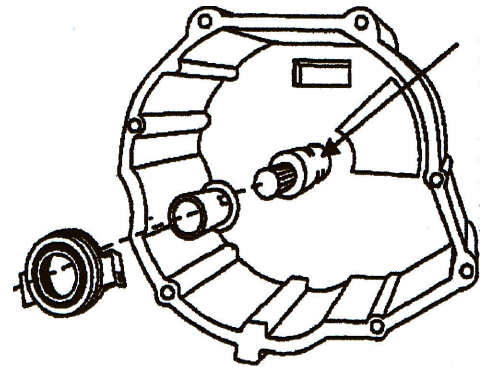
## Subaru Repair Sleeve



In order to specifically address warranty and labor issues involving popular Subaru applications, AMS Automotive supplies an easy-to-install release bearing retainer repair kit, along with a newly designed version of the OE release bearing. This new bearing design will work with all Subaru OE fork and clip designs.

The OE release bearing retainer is prone to failure, and cannot be repaired without complete transmission case replacement. That's because the bearing retainer is integrated into the transmission case. Furthermore, replacement of the transmission case is a very complex procedure and involves considerable downtime and customer expense, due to the fact that the transmission case must be vertically split during repair and replacement.

This kit offers a cost effective solution to transmission case replacement that has been required for repair of this application



**Subaru Repair Sleeve Kits**

| *Kit Number | Year    | Make   | Model                                     |
|-------------|---------|--------|---|
| 15-004R     | 2003-06 | Subaru | 2.5L Baja                                 |
| 15-004R     | 1998-06 | Subaru | 2.5L Forester                             |
| 15-012R     | 1993    | Subaru | 1.8L Impreza, RS 4WD                      |
| 15-010R     | 1994-95 | Subaru | 1.8L Impreza, RS 4WD                      |
| 15-018R     | 1995    | Subaru | 1.8L Impreza, RS 2WD                      |
| 15-010R     | 1996-97 | Subaru | 1.8L Impreza, RS                          |
| 15-010R     | 1996-02 | Subaru | 2.2L Impreza, RS                          |
| 15-004R     | 1998-06 | Subaru | 2.5L Impreza, RS                          |
| 15-010R     | 1990-92 | Subaru | 2.2L Legacy, Legacy Wagon, Legacy Outback |
| 15-004R     | 1997-06 | Subaru | 2.5L Legacy, Legacy Wagon, Legacy Outback |
| 15-004R     | 1997-06 | Subaru | 2.5L Outback                              |

\*An "R" suffix added to the standard-duty part number indicates that the kit contains the repair sleeve components.

For more details, please contact our technical service department at 800.528.6743.