



PRODUCT SPOTLIGHT
 This bulletin contains valuable product related information.
NOVEDADES DEL PRODUCTO
 Este boletín contiene información valiosa relacionada a este producto.
ACCENT PRODUIT
 Ce bulletin contient de l'information utile sur les produits.

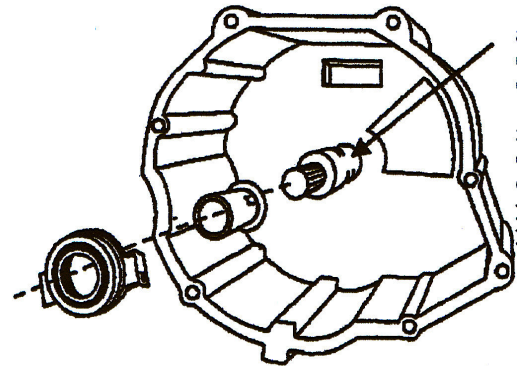


Subaru Repair Sleeve



AMS Automotive now offers an easy-to-install repair sleeve kit (part number **(RSK015)**, designed to work with all Subaru OE fork and clip designs. This kit contains the repair sleeve, release bearing (utilizing an oversize bore diameter), attaching setscrews, and allen wrench. The components were previously only available when purchased as part of the entire new clutch kit.

The OE release bearing retainer is prone to failure due to grooving, and cannot be repaired without complete transmission case replacement. This is due to the release bearing retainer being integrated into the transmission case. Furthermore, replacement of the transmission case is a very complex procedure and involves considerable downtime and customer expense, due to the fact that the transmission case must be vertically split during repair and replacement.



If the vehicle your working on shows excessive wear on the release bearing retainer you could experience conditions such as:

- Clutch chatter
- Uneven engagement
- Premature clutch and release bearing failure

Please refer to the chart below for release bearing retainer repair sleeve and release bearing applications.

Year	Make	Model
2003-06	Subaru	2.5L Baja
1998-06	Subaru	2.5L Forester
1993	Subaru	1.8L Impreza, RS 4WD
1994-95	Subaru	1.8L Impreza, RS 4WD
1995	Subaru	1.8L Impreza, RS 2WD
1996-97	Subaru	1.8L Impreza, RS
1996-02	Subaru	2.2L Impreza, RS
1998-06	Subaru	2.5L Impreza, RS
1990-92	Subaru	2.2L Legacy, Legacy Wagon, Legacy Outback
1997-06	Subaru	2.5L Legacy, Legacy Wagon, Legacy Outback
1997-06	Subaru	2.5L Outback

For more details, please contact our technical service department at 800.528.6743.